

Type: CT

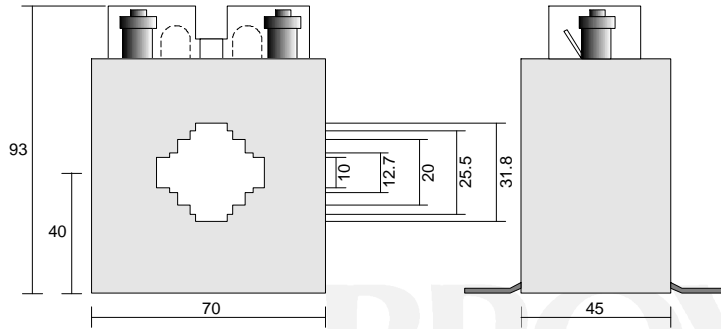
Current Transformers

- ❑ Designed for use with ALL Broyce Current Relays
- ❑ 5A secondary
- ❑ Moulded Case
- ❑ Small "outside" dimensions
- ❑ "Class 1" accuracy
- ❑ Conforms to IEC and BS standards
- ❑ Terminal cover included



Dims:
H. 93mm (inc. terminals)
W. 70mm
D. 45mm (exc. mounting feet)

• DIMENSIONS



Note:

- **CT10** > Cable must be split and connected to P1 and P2 terminals.
- Max. aperture for circular conductors is 24mm, and for bar conductors, 30 x 10mm.
- Termination to secondaries via M5 studs.

• TECHNICAL SPECIFICATION

Type availability:

Part #	Pri. rating	Sec. rating*	Ratio
CT10	10A	5A	2:1
CT60	60A	5A	12:1
CT100	100A	5A	20:1
CT200	200A	5A	40:1
CT400	400A	5A	80:1

* Max. burden = 2.5VA

Rated system voltage: 720V (Test Voltage: 3kV)

Ambient operating temperature: -30 to +85°C

Enclosure (to IP54): Self extinguishing to UL94 VO

Approvals: Conforms to IEC44-1, IEC185 and BS7626
CE Compliant