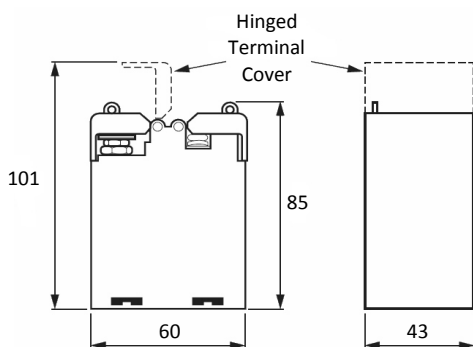
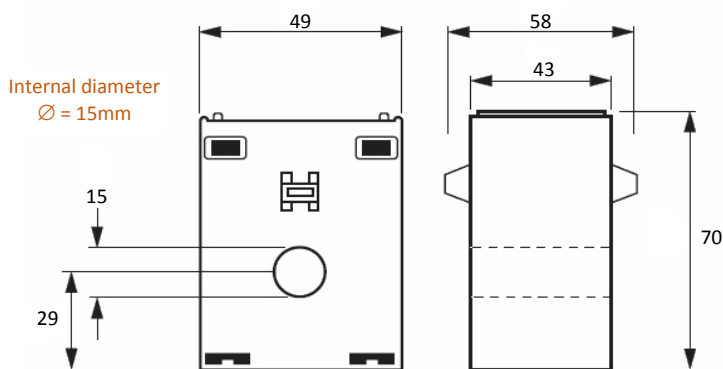


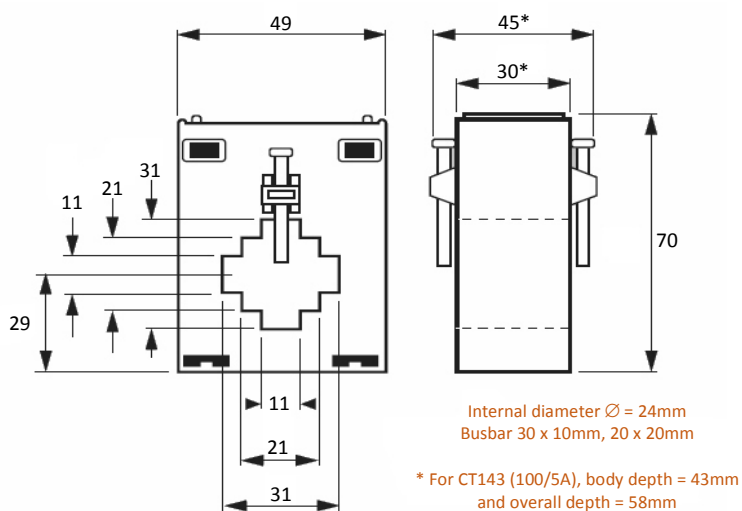
• **DIMENSIONS (CT160)**



• **DIMENSIONS (CT141)**



• **DIMENSIONS (CT143)**



- ❑ Designed for use with ALL Broyce Current Relays
- ❑ 5A secondary output
- ❑ Moulded case
- ❑ Small "outside" dimensions
- ❑ "Class 1" accuracy
- ❑ Conforms to IEC and BS standards
- ❑ Includes mounting feet
- ❑ DIN rail clip supplied

• **TECHNICAL SPECIFICATION**

Type availability:			
Part # ¹	Primary current rating	Secondary rating ²	Ratio
CT160	10A	5A	2:1
CT141	60A	5A	12:1
CT143	100A	5A	20:1
CT143	200A	5A	40:1
CT143	400A	5A	80:1

² Maximum burden = 2.5VA

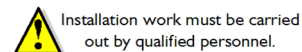
Continuous rating:	1.2 x rated current
Rated system voltage:	0.72/3kV
Ambient operating temperature:	-30 to +85°C
Enclosure (to IP54):	Self-extinguishing to UL94 V0
Approvals:	Conforms to IEC 60044-1, IEC 185, BS EN 60044-1 and BS7626 CE Compliant

¹ Part numbers have been changed on this range of Current Transformers. The table below shows the old and new part numbers.

Old part number	New part number ³
CT10	CT160 (10/5A)
CT60	CT141 (60/5A)
CT100	CT143 (100/5A)
CT200	CT143 (200/5A)
CT400	CT143 (400/5A)

³ Please quote this full part number when ordering

• **INSTALLATION**



- BEFORE INSTALLATION, ISOLATE THE SUPPLY.
- Install the Current Transformer in accordance with the requirements of the application