

Type: M3LS3

Load Sharing Relay

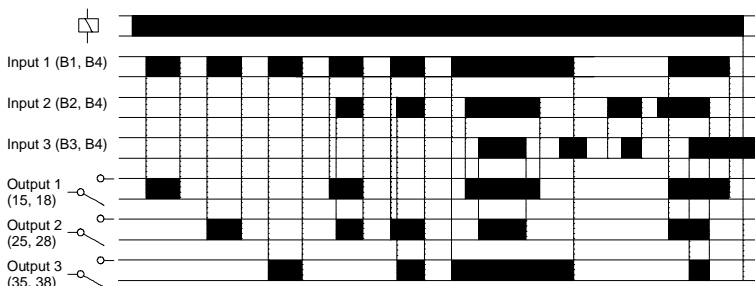
- ❑ 35mm DIN rail housing
- ❑ Controls the operation of up to three loads by alternating each one
- ❑ Allows all output relays to be energised when all input contacts are closed
- ❑ Requires 3 external N.O. volt free contacts (i.e. pressure switches, push buttons)
- ❑ Isolated supply
- ❑ 3 x SPNO relay output 5A
- ❑ LED indication of supply and output relay status



Dims:
to DIN 43880
W. 35mm

Terminal Protection to IP20

FUNCTION DIAGRAM



INSTALLATION AND SETTING



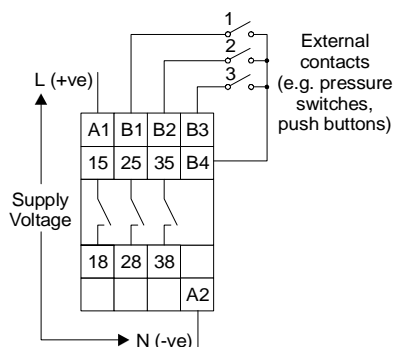
Installation work must be carried out by qualified personnel.

- **BEFORE INSTALLATION, ISOLATE THE SUPPLY.**
- Connect the unit as shown in the diagram below.
- Apply power (**green LED on**).
- The unit will operate according to the function diagram shown above. LED indication is provided to show the status of each relay. For example, if the contact across **B1** and **B4** is closed, then **output 1** relay will energise. This is indicated by the red LED (marked "R1") being illuminated. If the same contact is opened (**output 1** relay de-energises and LED "R1" extinguishes) and closed again, **output 2** relay will energise. This is indicated by the red LED (marked "R2") being illuminated.

Troubleshooting.

- If the unit fails to operate, check the wiring is correct and the supply voltage is present and within the operating limits specified.

CONNECTION DIAGRAM



TECHNICAL SPECIFICATION

Supply voltage U_n : 110, 230, 400V AC 48 - 63Hz
 Supply variation: 85 - 115% of U_n
 Isolation: Over voltage cat. III
 Rated impulse withstand voltage: 4kV (1.2 / 50 μ s) IEC 60664
 Power consumption: 6VA max.

Time delay:
 to energise relay: < 1Sec (from contact closure)
 to de-energise relay: < 1Sec (from contact opening)
 Reset time: \approx 100ms
 Repeat accuracy: \pm 0.5% @ constant conditions

Max. cable length: 50m (relay to external contacts)

Ambient temp: -20 to +60°C
 Relative humidity: +95%

Output: 3 x SPNO relay
 Output rating: AC1 250V AC 5A (1250VA)
 AC15 250V AC 4A
 DC1 25V DC 5A (125W)

Electrical life: \geq 150,000 ops at rated load
 Dielectric voltage: 2kV AC (rms) IEC 60947-1
 Rated impulse withstand voltage: 4kV (1.2 / 50 μ s) IEC 60664

Housing: Orange flame retardant UL94 VO
 Weight: \approx 120g
 Mounting option: On to 35mm symmetric DIN rail to BS5584:1978 (EN50 002, DIN 46277-3) Or direct surface mounting via 2 x 3.5 or 4BA screws using the black clips provided on the rear of the unit.

Terminal conductor size: \leq 2 x 2.5mm² solid or stranded

Approvals: Conforms to IEC, CE and Compliant.

Options:

1. For other supply voltages, please consult the sales office.
2. For alternative time delays or functional configurations, please consult the sales office.

MOUNTING DETAILS

