

# Type: BHRM

## Hours Run Meter

- Non Resettable
- Measures Elapsed Time
- Rotating Disc for Indication of Operation
- Panel Mounting
- IP65 Protection (Front Face)



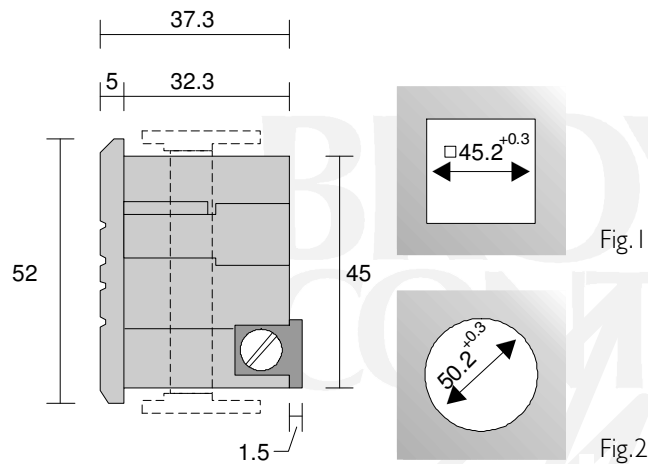
### • INSTALLATION NOTE



Installation work must be carried out by qualified personnel.

- BEFORE INSTALLATION, ISOLATE THE SUPPLY.

### • DIMENSIONS & PANEL CUT-OUT DETAILS



### • TECHNICAL SPECIFICATION

Supply voltage: 10 – 80V DC  
24, 115, 230V AC 50Hz  
115, 230V AC 60Hz

Please state Supply voltage and frequency when ordering.

Supply voltage tolerance: +/- 10% (AC Supply versions)  
Current consumption: DC: 1.5 - 15mA  
(at rated supply voltage) AC: ≈10mA

Counting capacity: 99,999.99 Hours

Ambient temp: -30 to +80°C

Protection: DIN 40050, housing IP65 (front)

Weight: ≈ 46g

Mounting: Flush,

Panel cut-out options

1. 45.2mm +0.3 (See Fig.1)
2. Ø 50.2mm +0.3 (See Fig.2)

Terminations: Terminal screw connection

Approvals: CE Compliant.