

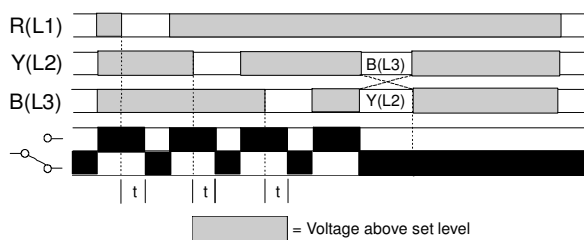
Type: 45080

Phase Sequence/Failure Relay plus Time Delay

The unit monitors a three phase, three wire supply for presence and correct rotation. When the supply is switched on, the green "supply on" LED will illuminate. The red "relay" LED will illuminate and the relay will energise as long as the phases are present and of correct rotation and value. If one or more of the phases falls below 60% of the nominal voltage, the relay LED will extinguish and the relay will de-energise after the adjustable time delay.



TIMING DIAGRAM

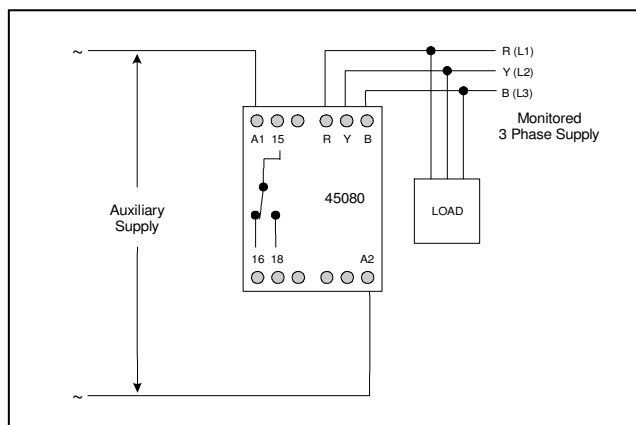


INSTALLATION AND SETTING

BEFORE INSTALLATION, ISOLATE THE SUPPLY. Connect the auxiliary supply and the monitored three phase supply as shown in the diagram below. The green 'supply on' and the red 'relay' LED should illuminate. If the green LED illuminates but the red LED does not, isolate the supplies and reverse any two of the monitored phase inputs. If the unit still fails to operate then check all connections and voltages present. Set the required fault 'delay' using the front adjustment. For units required to detect a re-generated voltage greater than 60%, the 45095 Phase Asymmetry Relay is recommended.

Note: If the auxiliary supply is connected across two of the monitored three phases and one of these phases is lost, there will be no time delay (t).

CONNECTION DIAGRAM



TECHNICAL SPECIFICATION

Auxiliary Supply Un:	24V, 110V, 230V, 400V AC
	48 - 63Hz
	(Galvanic isolation by transformer)
Supply Variation:	85 - 115% of Un
Isolation:	Overvoltage cat. III (IEC 664)
Power Consumption:	3VA maximum
Monitored Voltage:	400V, 3 wire Three Phase Supply
Threshold Voltage:	60% of nominal
Time Delay (t):	0.1 to 10 seconds (± 20%)
(from fault)	
Reset Time	≈ 100ms
Temperature Range:	-20 to +60°C
Relative Humidity:	+95%
Contact Rating:	SPDT
	AC 1 250V AC 10A (2500VA)
	AC 15 250V AC 6A
	DC 1 25V DC 10A (250W)
Electrical Life:	Minimum 150,000 ops at rated load
Housing:	Orange flame retardant UL94 VO
Weight:	234g approx.
Mounting Option:	Onto 35mm symmetric DIN rail to BS5584:1978 (ENSO 002, DIN 46277-3)
Terminal Conductor Size:	Max 2 x 1.5mm ² stranded (terminated) Max 2 x 2.5mm ² solid
Approvals:	Conforms to: UL, CUL, CSA, IEC. CE Compliant

MOUNTING DETAILS

