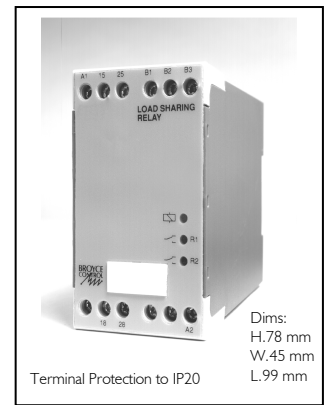


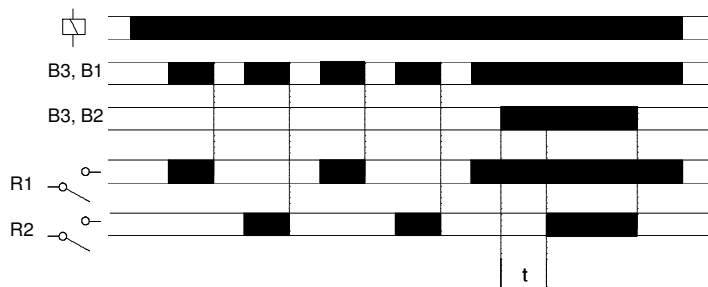
Type: 45205

Load Sharing Relay

The unit controls the operation of two motors, compressors, generators, etc. for balanced operation. It operates on the alternation of the start up each time a contact e.g. pressure switch, is closed. The unit can be used for simultaneous operation of two motors as well as cascade operation of a number of motors.



TIMING DIAGRAM



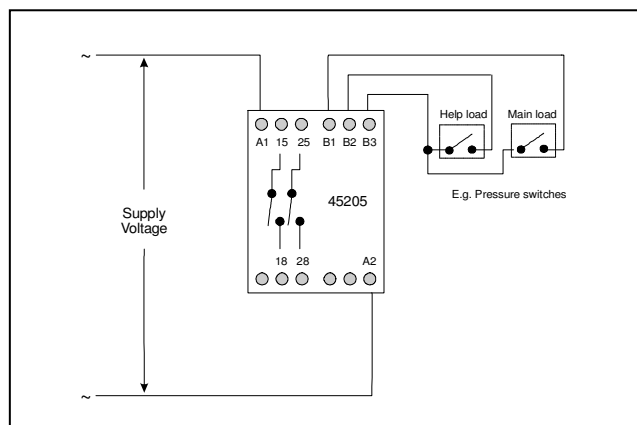
INSTALLATION AND SETTING

BEFORE INSTALLATION, ISOLATE THE SUPPLY. Connect the supply as shown in the diagram below.

Alternating control of two motors: When the power is applied, the green 'supply on' LED will illuminate. Both red LED's will remain extinguished as long as the contact connected between 'B1' and 'B3' is open. When the contact is closed, red LED 'R1' will illuminate and one of the motors will start up. Every closure of this contact will alternate the start up of one of the two motors, exchanging the working operation.

Alternating/simultaneous operation of two motors: Two contacts are connected to the unit, one between 'B1' and 'B3', the other between 'B1' and 'B2'. Closure of 'B1' and 'B3' contact will alternate the start up of one of the two motors. Closure of 'B1', 'B2' contact will start up the second motor which acts as a "help" function. If the power is applied whilst both contacts are already closed, the start up of the second motor is delayed by 2 seconds.

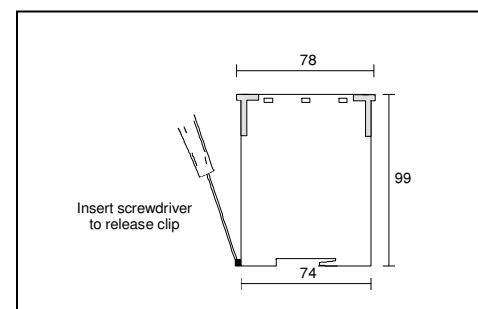
CONNECTION DIAGRAM



TECHNICAL SPECIFICATION

Supply Voltage Un:	24V, 110V, 230V, 400V AC
	48 - 63Hz
	(Galvanic isolation by transformer)
Supply Variation:	85 - 115% of Un
Isolation:	Overvoltage cat. III (IEC 664)
Power Consumption:	3VA maximum
Time Delay (t):	≈ 2S
("help" function)	
Reset Time	≈ 100mS
Temperature Range:	-20 to +60°C
Relative Humidity:	+95%
Contact Rating:	2 x SPST
	AC I 250V AC 10A (2500VA)
	AC 15 250V AC 6A
	DC I 25V DC 10A (250W)
Electrical Life:	Minimum 150,000 ops at rated load
Housing:	Orange flame retardant UL94 VO
Weight:	255g approx.
Mounting Option:	Onto 35mm symmetric DIN rail to BS5584:1978 (ENSO 002, DIN 46277-3)
Terminal Conductor Size:	Max 2 x 1.5mm ² stranded (terminated) Max 2 x 2.5mm ² solid
Approvals:	Conforms to: UL, CUL, CSA, IEC. CE Compliant

MOUNTING DETAILS



Broyce Control Ltd., Pool Street, Wolverhampton, West Midlands WV2 4HN. England

45205-B990120

Telephone: +44 (0) 1902 773746 Facsimile: +44 (0) 1902 420639 Email: sales@broycecontrol.com

The information provided in this literature is believed to be accurate (subject to change without prior notice); however, use of such information shall be entirely at the user's own risk.