

Type: 45TCR

PT100 Temperature Control Relay

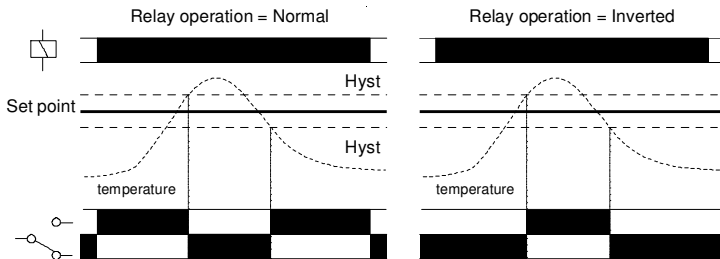
- ❑ 2 or 3 wire PT100 input
- ❑ Monitoring or control of temperature -50°C to 300°C (5 ranges)
- ❑ Adjustable set point and hysteresis
- ❑ Relay Operation Inversion switch - Normal/Inverted
- ❑ Analogue output (0 - 10V DC) relative to set point or measured temperature
- ❑ Dual voltage supply (AC only)
- ❑ LED indication of relay, probe and supply status



Dims:
W. 45mm

Terminal Protection to IP20

• FUNCTION DIAGRAM



• INSTALLATION AND SETTING

- **BEFORE INSTALLATION, ISOLATE THE SUPPLY.**
- Connect the unit as shown in the diagram below. (Ensure the correct terminals are used when connecting the supply).
- Select the required temperature range. (N.B. fit link between terminals "Y1" and "Z" for 200 to 300°C range)
- Set the relay inversion switch to either "N" (Normal) or "I" (Inverted).
- Apply power (green LED on).

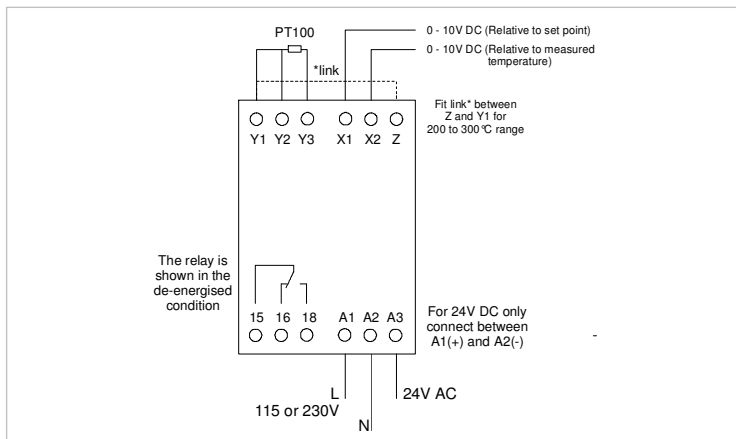
Analogue outputs (0 - 10V DC)

- Connecting between terminals "Y1" and "X1" provides DC voltage relative to the set point (i.e. set point @ 20% = 2V DC out).
- Connecting between terminals "Y1" and "X2" provides DC voltage relative to the measured temperature within any range selected.

Troubleshooting

- Check wiring and voltage present.
- If the red LED flashes, check PT100 connections.

• CONNECTION DIAGRAM



• TECHNICAL SPECIFICATION

Supply voltage Un:	24V DC 24V / 115V AC 45 - 65Hz* 24V / 230V AC 45 - 65Hz* *Integral transformer
Supply variation:	85 - 115% of Un
Isolation:	3.75kV (N.B. There is no isolation between input and analogue output)
Power consumption:	≈ 4.5VA (27.6V AC), 4.8VA (264V AC) (@ 115% x Un) ≈ 1W (27.6V DC)
Input:	PT100 2 or 3-wire (to DIN 43760)
Temperature ranges:	-50 to 50°C, 0 to 50°C, 0 to 100°C, (selectable) 100 to 200°C, 200 to 300°C
Set point:	0 - 100% of selected temperature range
Hysteresis:	0.5 - 20%
Temperature drift:	0.05%/°C (max.)
Time delay:	200ms (worst case 5 x τ)
Ambient temp:	-20 to +50°C
Relative humidity:	+95%
Output:	1 x SPDT
Output rating:	AC 1 250V AC 8A (2000VA) AC 15 250V AC 5A (no), 3A (nc) DC 1 25V DC 8A (200W)
Electrical life:	≥ 150,000 ops at rated load
Analogue output:	0 - 10V DC (relative to set point or measured temperature) I _{max} = 2mA R _{load} ≥ 5KΩ
Housing:	to UL94 VO
Weight:	≈ 200g
Mounting option:	On to 35mm symmetric DIN rail to BS5584:1978 (EN50 002, DIN 46277-3)
Terminal conductor size:	≤ 2 x 1.5mm ² stranded wire ≤ 2 x 2.5mm ² solid wire
Approvals:	Conforms to UL, CUL, CSA & IEC CE Compliant

• MOUNTING DETAILS

