

Terminal Protection to IP20



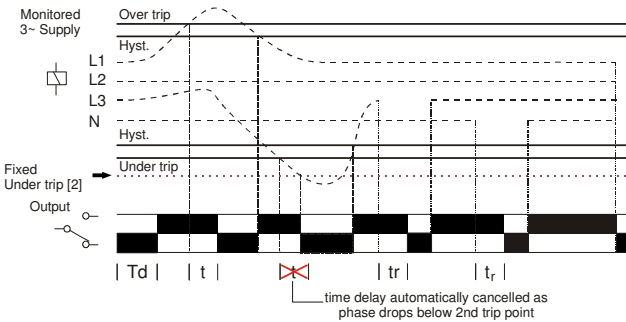
- **\*NEW\* 17.5mm DIN rail housing**
- **Microprocessor based**
- **True R.M.S. monitoring**
- **Monitors own supply and detects if one or more phases exceed the set Under or Over voltage trip levels**
- **Measures phase to neutral voltages**
- **Detects phase loss and neutral loss and operates irrespective of phase sequence**
- **Adjustments for Under and Over voltage trip levels**
- **Adjustment for Time delay (from an Under or Over voltage condition)**
- **1 x SPDT relay output 8A**
- **Green LED indication for supply status**
- **Red LED indication for relay status**

Dims: to DIN 43880  
W. 17.5mm



### FUNCTION DIAGRAM

Under and Over Voltage Monitoring



### TECHNICAL SPECIFICATION

Supply/monitoring voltage	Un* (L1, L2, L3, N): 230V AC (see note)		
Frequency range:	48 – 63Hz		
Supply variation:	70 – 130% Un		
Overvoltage category:	III (IEC 60664)		
Rated impulse withstand voltage:	4kV (1.2/50µs) IEC 60664		
Power consumption (max.):	6VA		
Monitoring mode:	Under and Over voltage		
Trip levels:	Under [2]: 70% of Un (fixed) ± 2%		
	Under: 75 – 95% of Un		
	Over: 105 – 125% of Un		
Measuring ranges:	230V:	161V	173 – 218V
			241 – 288V
Hysteresis:	≈ 2% of trip level (factory set)		
Setting accuracy:	± 3%		
Repeat accuracy:	± 0.5% at constant conditions		
Immunity from micro power cuts:	<50mS		
Response time:	≈ 50mS		
Time delay (t):	0.2 – 10 sec. (± 5%)		
	<i>Note: actual delay (t) = adjustable delay + response time</i>		
Delay from Phase/Neutral loss (tr):	≈ 150mS (worst case = tr x 2)		
Power on delay (Td):	≈ 1 sec. (worst case = Td x 2)		
Power on indication:	Green LED		
Relay status indication:	Red LED		
Ambient temp:	-20 to +60°C		
Relative humidity:	+95% max.		
Output (15, 16, 18):	SPDT relay		
Output rating:	AC1	250V 8A (2000VA)	
	AC15	250V 5A (no), 3A (nc)	
	DC1	25V 8A (200W)	
Electrical life:	≥ 150,000 ops at rated load		
Dielectric voltage:	2kV AC (rms) IEC 60947-1		
Rated impulse withstand voltage:	4kV (1.2/50µs) IEC 60664		
Housing:	Grey flame retardant UL94 V0		
Weight:	75g		
Mounting option:	On to 35mm symmetric DIN rail to BS EN 60715 or direct surface mounting via 2 x M3.5 or 4BA screws using the black clips provided on the rear of the unit.		
Terminal conductor size	≤ 2 x 2.5mm <sup>2</sup> solid or stranded		
Approvals:	Conforms to IEC.		

### INSTALLATION AND SETTING



Installation work must be carried out by qualified personnel.

- BEFORE INSTALLATION, ISOLATE THE SUPPLY.
- Connect the unit as required. The Connection Diagram below shows a typical installation, whereby the supply to a load is being monitored by the Phase monitoring relay. If a fault should occur (i.e. fuse blowing), the relay will de-energise and assuming control of the external Contactor, de-energise the Contactor as well.

#### Applying power.

- Set the "Over %" ③ adjustment to maximum and the "Under %" ⑤ adjustment to minimum. Set the "Delay (t)" ④ to minimum.
- Apply power and the green "Power supply" ① and red "Relay" ② LED's will illuminate, the relay will energise and contacts 15 and 18 will close. Refer to the troubleshooting table if the unit fails to operate correctly.

#### Setting the unit (with power applied).

- Set the "Over %" and the "Under %" adjustments to give the required monitoring range.
- If large supply variations are anticipated, the adjustments should be set further from the nominal voltage.
- Set the "Delay (t)" adjustment as required. (Note that the delay is only effective should the supply increase above or drop below the set trip levels. However, if during an under voltage condition the supply drops below the 2<sup>nd</sup> under voltage trip level, any set time delay is automatically cancelled and the relay de-energises).  
Note: If the supply voltage increases above the maximum "Over %" trip setting by approx. 5% or more, the relay will de-energise immediately.

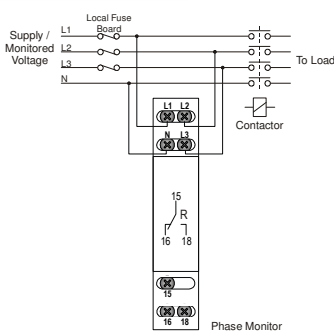
#### Troubleshooting.

The table below shows the status of the unit during a fault condition.

Supply fault	Green LED	Red LED	Relay
Phase or neutral missing	On	Off	De-energised
Under or Over Voltage condition (during timing)	On	Flashing	Energised for set delay (t)
Under or Over Voltage condition (after timing)	On	Off	De-energised
Phase below 70% of Un (fixed under trip level [2])	On	Off	De-energised

**Note:** The "Supply / monitoring voltage Un" refers to the phase to neutral nominal voltage for the product and voltage variants available. To convert these voltages to a phase to phase voltage, multiply by 1.732.

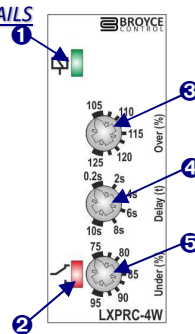
### CONNECTION DIAGRAM



### SETTING DETAILS

1. Power supply status (Green) LED
2. Relay output / Timing status (Red) LED
3. "Over %" trip level adjustment<sup>^</sup>
4. "Delay" adjustment
5. "Under %" trip level adjustment<sup>^</sup>

<sup>^</sup>scaled as % of the nominal voltage "Un"



### DIMENSIONS

