

Terminal Protection to IP20



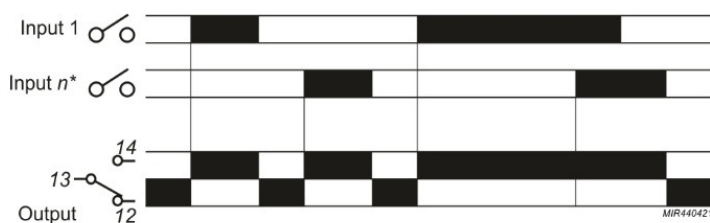
- 44mm wide, DIN rail housing
- Allows up to 10 inputs
- Any one input will energise the output relay
- 230VAC supply voltage
- 1 x SPDT relay output – 8A

Dims: to DIN 43880
W. 44mm



ISO 9001:2015
Cert. No. 14125771

FUNCTION DIAGRAM



* Input *n* can be any of the remaining inputs i.e. 2....10

TECHNICAL SPECIFICATION

Voltage inputs (1 – 10, 11)	
Voltage rating Un:	230VAC
Frequency range:	48 – 63Hz
Supply variation:	+/- 15% Un
Overvoltage category:	III (IEC 60664)
Rated impulse withstand voltage:	4kV (1.2/50µs) IEC 60664
Temperature rating	
Operating:	-20 to +60°C
Storage:	-30 to +70°C
Relative humidity:	+95%
Output (12, 13, 14)	
Output rating:	AC1 250V 8A (2000VA)
	AC15 250V 3A
	DC1 25V 8A (200W)
Electrical life:	150,000 ops at rated load
Housing	
Material:	Grey flame retardant Lexan UL94 V0
Weight:	~85g
Mounting option:	On to 35mm symmetric DIN rail to BS EN 60715
Terminals	
Terminal conductor size	≤ 2 x 2.5mm ² solid or stranded
Recommended stripping length:	6mm
Approvals:	Conforms to IEC CE, and RoHS Compliant.

Numbers shown above in bold/within brackets refer to terminal numbers on housing.

INSTALLATION

- BEFORE INSTALLATION, ISOLATE ALL SUPPLIES
- Connect the unit as per the diagram below. The number of inputs required will depend on the application.
- Ensure the power supply voltage matches that of the product rating.

Installation work must be carried out by qualified personnel.

Note: All inputs must be the same phase with the common neutral.

Testing.

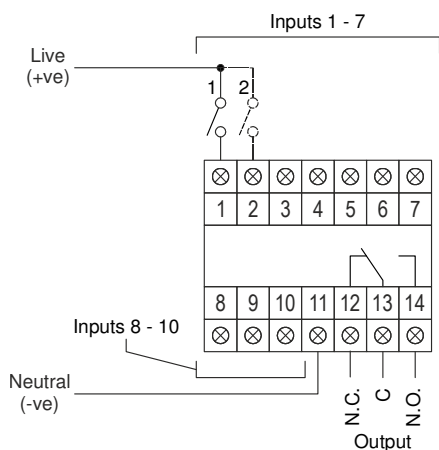
- Close any one of the connected input switches and the output relay will energise.
- Open the same input switch and the relay will de-energise.

Troubleshooting

If the product fails to operate as described above, check all wiring and connections.

Please note: Terminal layout different to previous product M3MIR

CONNECTION DIAGRAM



DIMENSIONS

